

# LIFEGARD II<sup>®</sup> Cont'd...

REDEFINING THE STANDARD IN CHANNELIZER DRUMS.... AGAIN !

## Set-up & Take-down Have Never Been Easier!



To set-up, simply align the drum over the base and press down firmly.



To take-down, place drum on its side then pull apart as shown above!

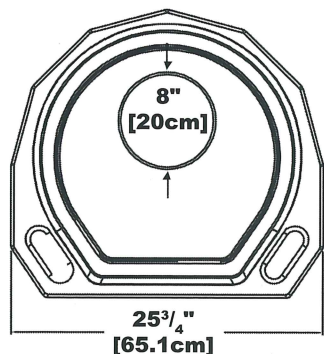


To set-up Lifeguard II with tire collar, place drum on its side and pull through tire collar as shown above!  
To take-down unit, reverse process  
- No heavy lifting!

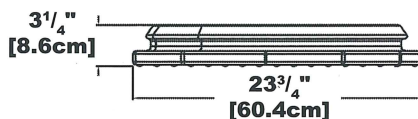
### Lifeguard II Base Specifications:



Both Bases are 100% Recycled Rubber

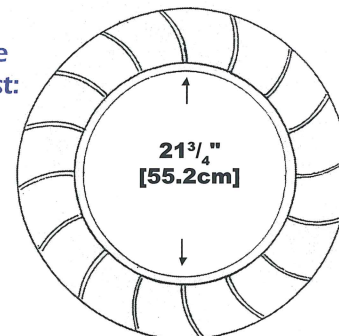


Internal Molded Rubber Ballast:



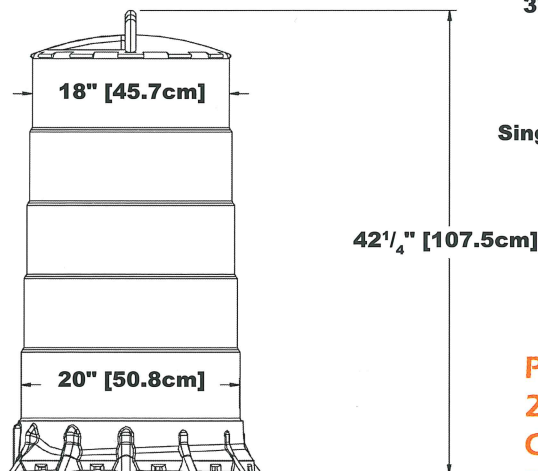
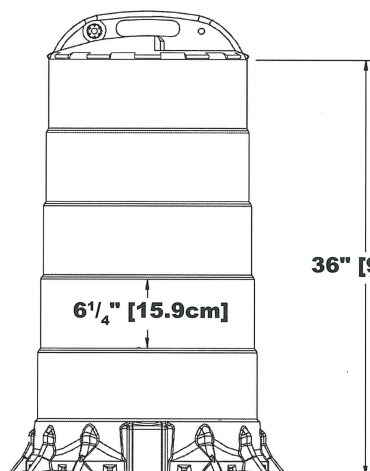
Approx. Weight = 40lbs. [18.2kg]

External Tire Collar Ballast:

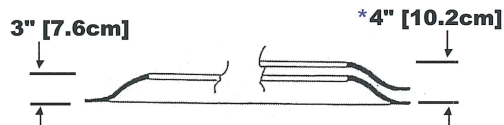


### Lifeguard II Specifications:

\* Meets or exceeds Federal M.U.T.C.D guidelines



Rubber Tire Collar Cross Section:



Single Collar Approx. Weight = 25lbs. [11.4kg]  
\*Note - 2 Tire Collar Height is 4"

Plastic Safety Systems, Inc.  
2444 Baldwin Road  
Cleveland, Ohio 44104  
Fax: 216-231-2702

800-662-6338 / 216-231-8590  
plasticsafety.com

"On the Roadway For Safety"<sup>®</sup>