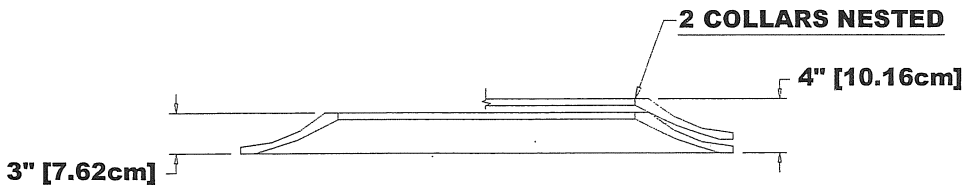
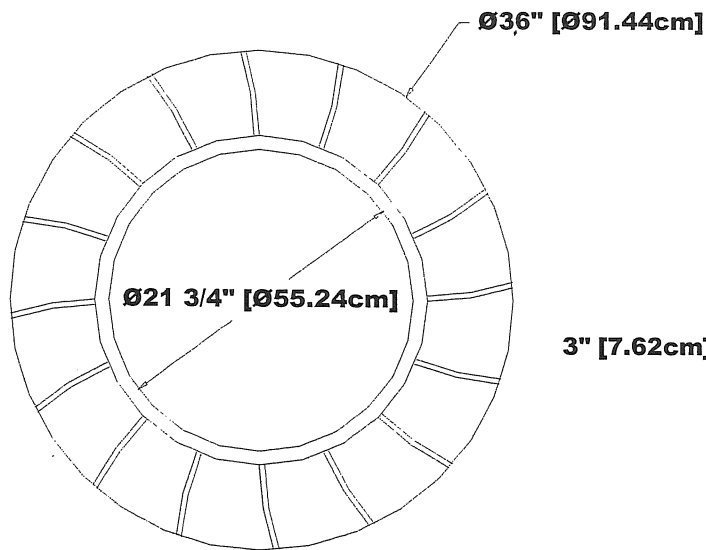
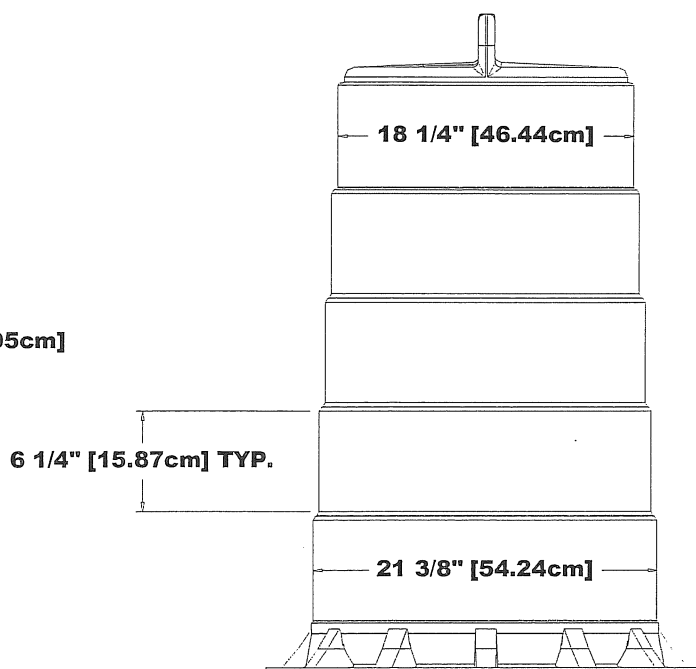
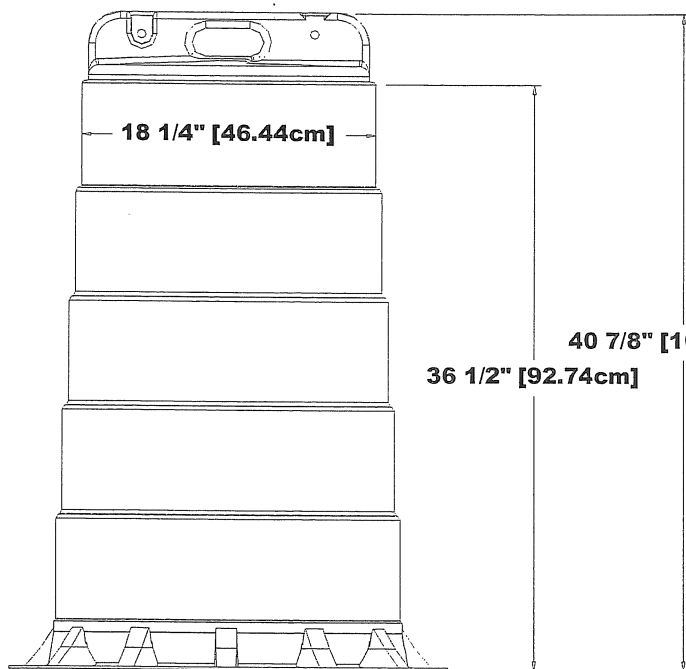


LIFEGARD® SPECS.

DIMENSIONS & SPECS. SHEET



- * NCHRP-350 Approved
- * Meets All Relevant MUTCD Requirements
- * U.S. Patent No. 5,234,280 & Canadian Patent No. 2,083,918



RUBBER COLLAR - CROSS SECTION

NOTE: 2 COLLAR HEIGHT IS 4"

RUBBER BALLASTING COLLAR

PLASTIC SAFETY SYSTEMS, INC.
2444 BALDWIN ROAD
CLEVELAND, OH 44104

800-662-6338

plasticsafetv.com

"ON THE ROADWAY FOR SAFETY"®

Copyright © 2001