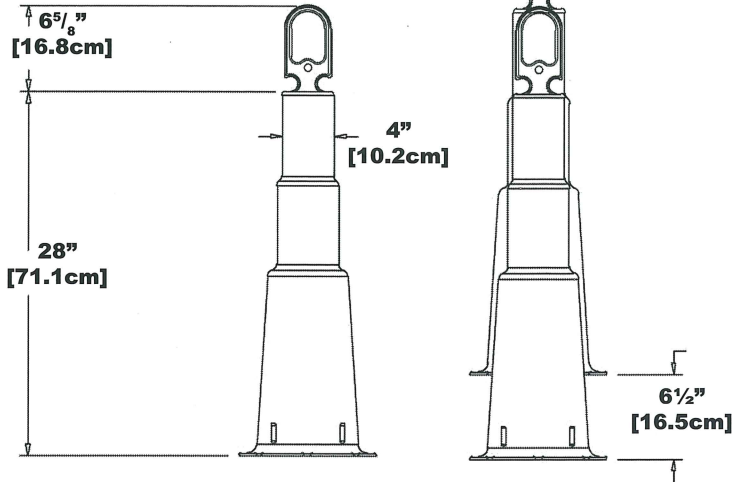


NAVIGATOR[®] Cont'd...

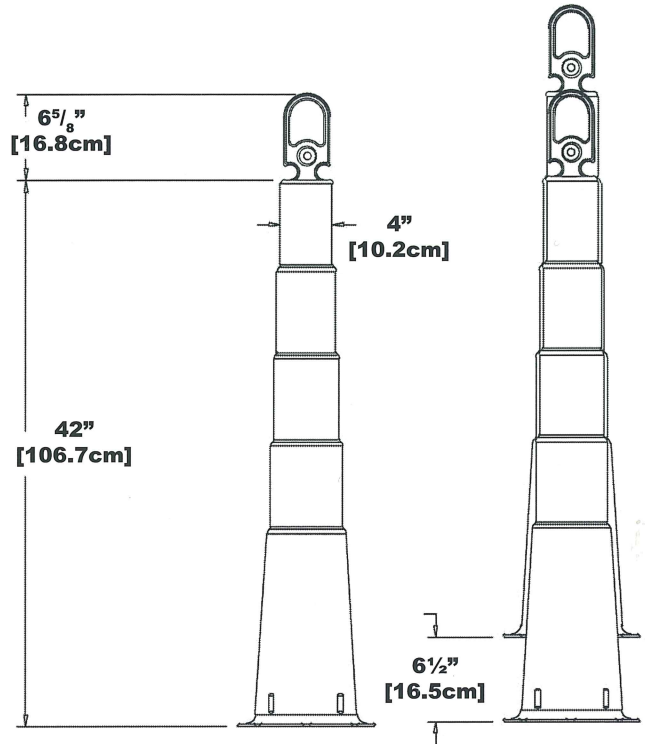
THE ALL-IN-ONE CHANNELIZER

Navigator Specifications:

* Meets or exceeds Federal M.U.T.C.D guidelines for cones



28" NAVIGATOR



42" NAVIGATOR

Molded Rubber Bases:

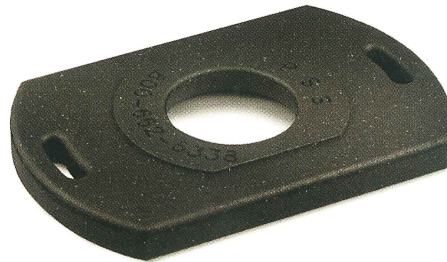
- Navigator utilizes PSS or other industry standard solid rubber ballasts
- PSS bases available in 10, 16, 30 or 40lb weights
- Manufactured from 100% Recycled Rubber



Bases are 100% Re-cycled Rubber



**10 & 16LB BASES
FEATURE HEXAGON SHAPE**



**30LB BASE FEATURES
RECTANGULAR SHAPE**



40LB BASE FEATURES SEMI-CIRCULAR SHAPE AND MAY ALSO BE USED AS INTERNAL BALLAST FOR LIFEGARD II CHANNELIZER DRUM

Plastic Safety Systems, Inc.
2444 Baldwin Road
Cleveland, Ohio 44104
Fax: 216-231-2702

800-662-6338 / 216-231-8590
plasticsafety.com

"On the Roadway For Safety"[®]