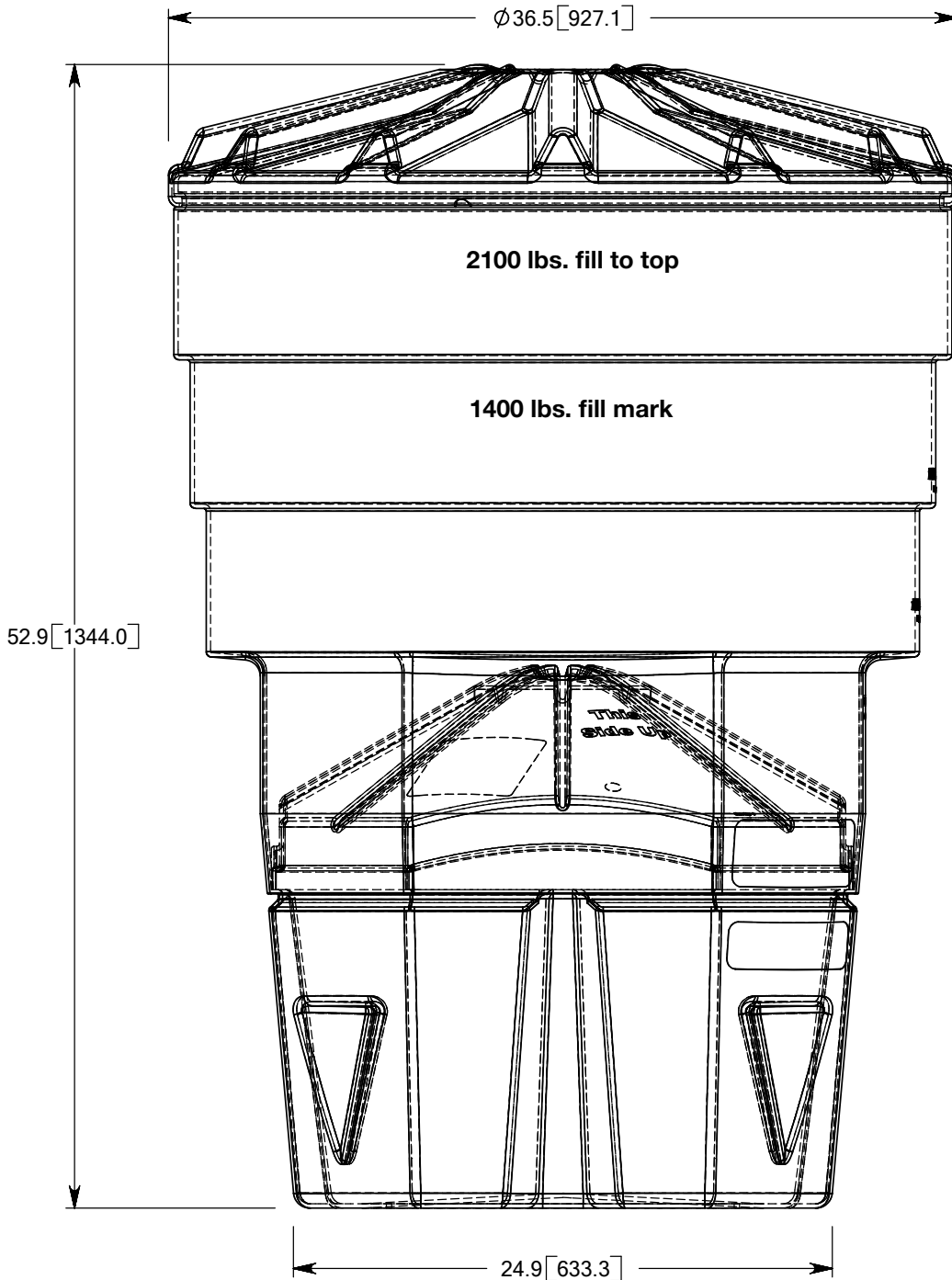




Plastic Safety
Systems, Inc.

CrashGard® Specs

Unsurpassed Durability.
Universal Size.



CrashGard sand barrel, shown with lid and insert

CrashGard® Specs

Sand Barrel/Crash Cushion/Impact Attenuator

Plastic Safety Systems, Inc.

2444 Baldwin Road
Cleveland, OH 44104

p: 216-231-8590

p: 800-662-6338

f: 216-231-2702

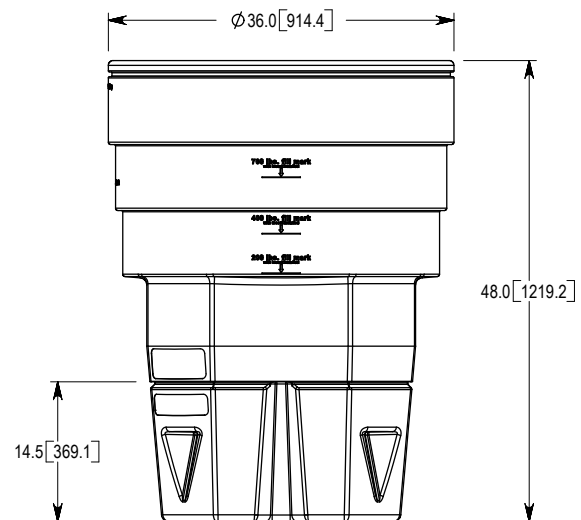
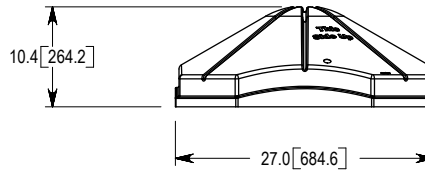
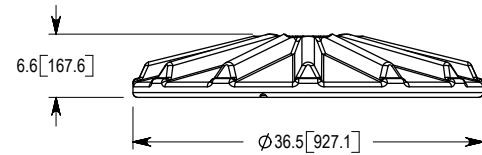
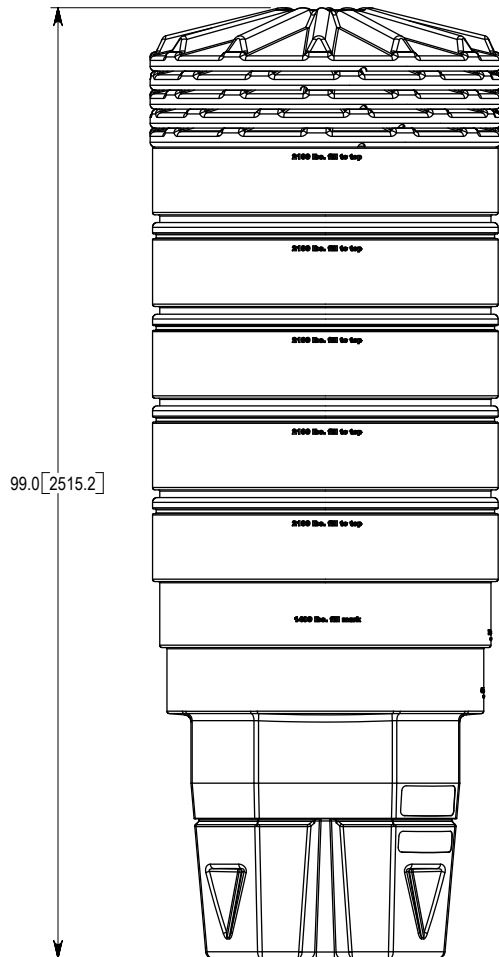
www.crashgard.com

www.plasticsafety.com



**Plastic Safety
Systems, Inc.**

CrashGard® Specs



Truckload Shipping Configuration

- 1 stack consists of:
- 5 CrashGards nested
 - 5 lids

Inserts shipped on pallets

Shipping quantities, for either truckload or less-than-truckload (LTL) quantities, are ultimately determined by the number of inserts required. Call with your array requirements, and we will calculate a shipping configuration.

Weights

Lid	7 lbs. [3.18 kg]
Insert	7 lbs. [3.18 kg]
Barrel	38 lbs. [17.24 kg]

Visit www.crashgard.com for the complete CrashGard manual.

Measurements Shown In Inches [Millimeters]

“On the Roadway for Safety”®

2444 Baldwin Road • Cleveland, OH • 44104 • 800-662-6338 • www.crashgard.com • www.plasticsafety.com

Copyright © 2008

Rev1 5/08